

# ELECTRIC BASS BB3000 MA

## SERVICE MANUAL



### WARNING : CHEMICAL CONTENT NOTICE!

The solder used in the production of this product contains LEAD. In addition, other electrical/electronic and/or plastic (Where applicable) components may also contain traces of chemicals found by the California Health and Welfare Agency (and possibly other entities) to cause cancer and/or birth defects or other reproductive harm.

DO NOT PLACE SOLDER, ELECTRICAL/ELECTRONIC OR PLASTIC COMPONENTS IN YOUR MOUTH FOR ANY REASON WHAT SO EVER!

Avoid prolonged, unprotected contact between solder and your skin! When soldering, do not inhale solder fumes or expose eyes to solder/flux vapor!

If you come in contact with solder or components located inside the enclosure of this product, wash your hands before handling food.

### ■ CONTENTS

OVERALL ASSEMBLY .....	2
CIRCUIT DIAGRAM .....	4
WIRING .....	4
SPECIFICATIONS .....	4

This document is printed on chlorine free (ECF) paper with soy ink.

EG 011568

20010420-220000

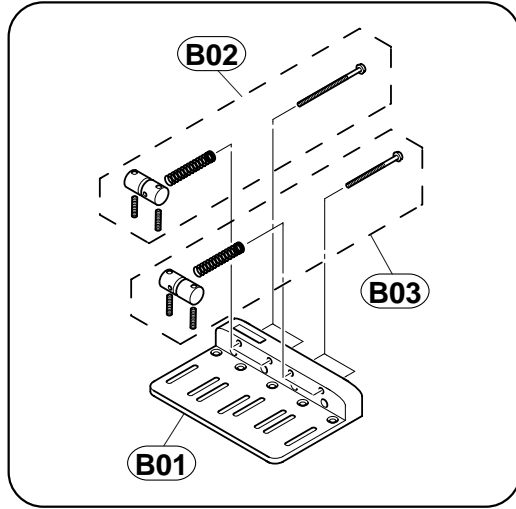
 **YAMAHA**

HAMAMATSU, JAPAN

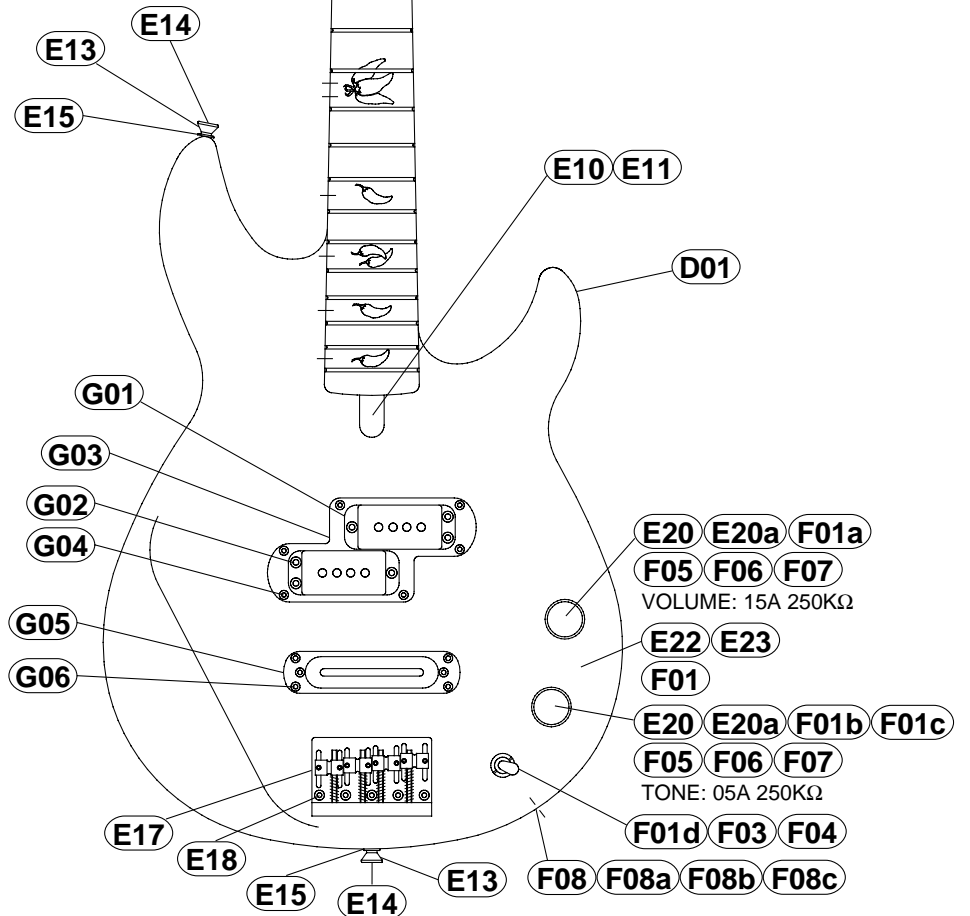
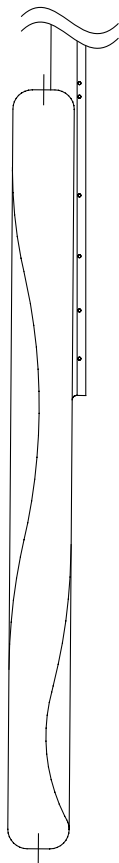
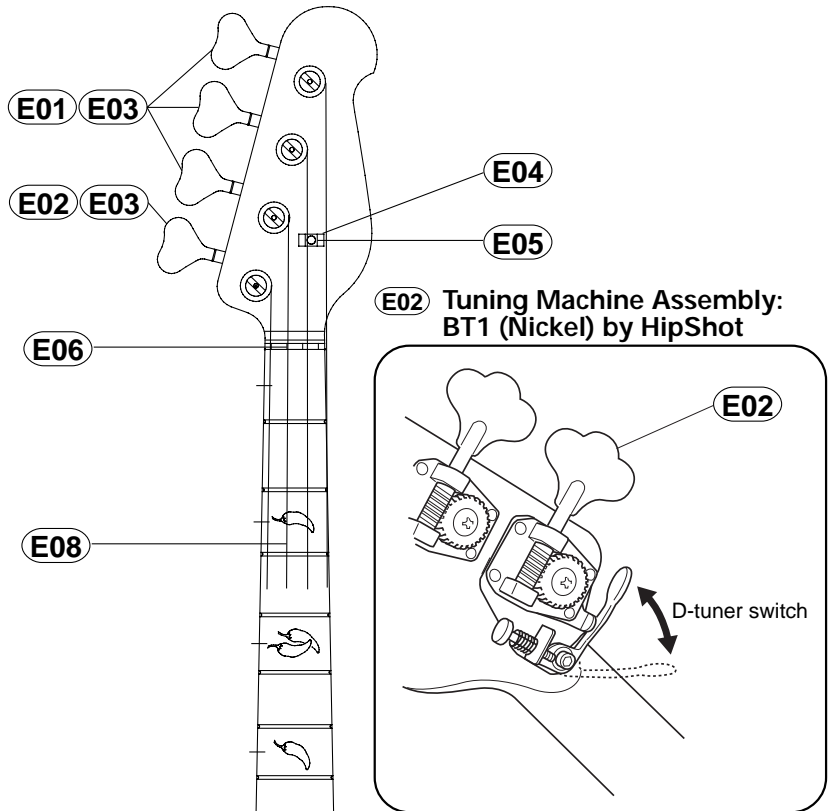
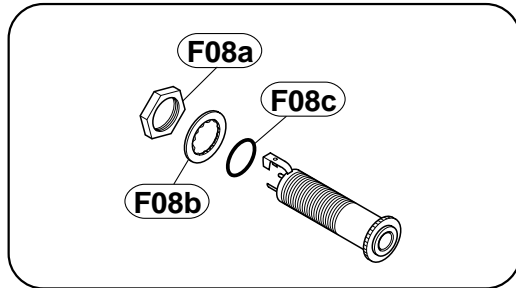
1.018K-901 IT  Printed in Japan '01.04

# OVERALL ASSEMBLY

## E17 Bridge Assembly: GEB201N (Nickel)



## • Jack Installation

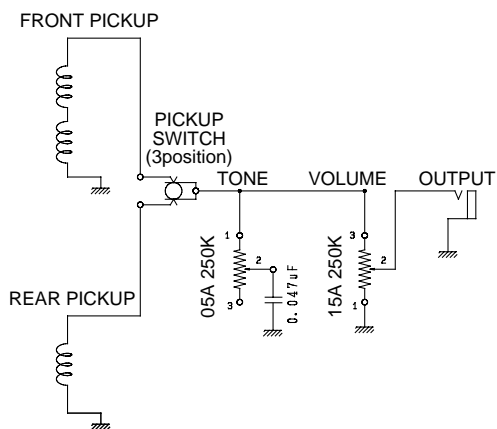


REF NO.	PART NO.	DESCRIPTION		REMARKS	QTY	RANK
D01	--	OVERALL ASSEMBLY Body		BB3000 MA		
* E01	QC604900	Tuning Machine Assembly	HB1 (Nickel) by HipShot	1-3 Strings	3	
* E02	QC605000	Tuning Machine Assembly	BT1 (Nickel) by HipShot	4 String		
E03	EA620030	Round Head Wood Screw	2.4X10 FNM33G	Nickel	16	01
* E04	QC605800	String Guide	Nickel			
* E05	QC607000	Round Head Wood Screw	2.7X20 FNM33G	Nickel		
* E06	QC631100	Nut	40mm Bone			
E08	--	Strings	H4030	(AA80931)		
E10	CB821460	Rod Cover	ABS (Black)			03
E11	03706220	Oval Head Wood Screw	2.1X10 FCM3BL	Black		01
E13	BB801850	Strap Button	Nickel		2	02
E14	EN230150	Oval Head Tapping Screw	3.5X25 FNM33G	Nickel	2	
E15	VB793700	Spacer	Black		2	01
* E17	QC614600	Bridge Assembly	GEB201N (Nickel)			
* E18	QC607100	Oval Head Tapping Screw	3.0X35 FNM33G	Nickel	5	
* E20	QC620900	Knob Assembly		O Ring x 2	2	
E20a	AAAX16560	Screw	M3.0X6 ZMC-BL	Black	2	
E22	CB809560	Back Cover				05
E23	EB620020	Oval Head Wood Screw	2.7X13 FCM3BL	Black	4	03
F01	--	Electrical Unit		(QC60680)		
F01a	HS120090	Variable Resistor	15A 250K ohm	VOLUME		03
F01b	HS120100	Variable Resistor	05A 250K ohm	TONE		03
F01c	FG244470	Ceramic Capacitor	0.047uF			01
F01d	KA300460	Pickup Switch	3-P #30046			11
F03	--	Round Nut				
F04	VA295700	Switch Washer				02
F05	--	Hexagonal Nut			2	
F06	--	Flat Washer			2	
F07	--	Toothed Lock Washer			4	
F08	QC288600	Jack				06
F08a	--	Hexagonal Nut				
F08b	--	Toothed Lock Washer				
F08c	--	Rubber Ring				
* G01	QC620700	Pickup Assembly		FRONT		
G02	EB630180	Oval Head Wood Screw	3.1X32 FCM3BL	Black	6	
* G03	QC620800	Pickup Escutcheon	Nickel			
G04	EB620050	Oval Head Wood Screw	2.7X13 FNM33G	Nickel	6	01
* G05	QC605300	Pickup Assembly		REAR		
G06	EB620050	Oval Head Wood Screw	2.7X13 FNM33G	Nickel	4	01
H01	QC085800	Accessory Unit (113)				08
	QA262600	Cord	D			05
	--	Wrench	#1.5			
	--	Box Wrench				
105	--	Hard Case	G&G GB20	(QC61470)		
* B01	QC614600	Bridge Assembly	GEB201N (Nickel)			
* B02	AAAX23680	Bridge Base				
* B02	AAAX23690	Bridge Piece Assembly	1,2	1,2 Strings	2	
* B03	AAAX23700	Bridge Piece Assembly	3,4	3,4 Strings	2	

\*: New Parts

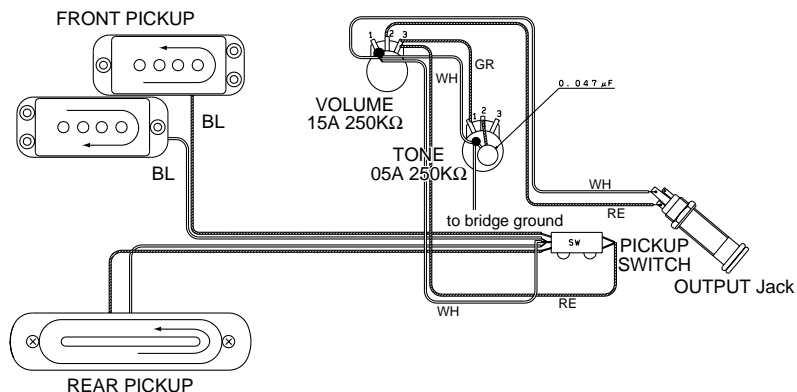
RANK: Japan only

## ■ CIRCUIT DIAGRAM



BPPJ-04

## ■ WIRING



## ■ SPECIFICATIONS

### ● STANDARD SPECIFICATIONS

Scale Length ..... 860mm  
 Body-Neck Construction ..... Through Neck  
 Length ..... 1153.3mm  
 Width ..... 347mm  
 Net Weight ..... 4.0kg

### ● COLOR

Body  
 BM ..... Black Metallic  
 MGS ..... Mist Green Satin  
 Neck  
 BM ..... Black Metallic  
 MGS ..... Mist Green Satin

### ● BODY

Material ..... Alder  
 Body Depth ..... 41mm

### ● FINGERBOARD

Material ..... Ebony  
 Fingerboard Width ..... 0-F 40.0 mm, 12-F 55.4 mm  
 No. of Frets ..... 21

### ● NECK

Material ..... Maple+Mahogany  
 Neck Thickness ..... 1-F 21.0 mm, 12-F 23.5 mm

### ● PARTS

Hardware ..... Nickel  
 Nut ..... Bone  
 Bridge ..... GEB201N: Nickel  
 Strings ..... H4030

### ● CONTROLS

Volume ..... 15A 250KΩ x 1  
 Tone ..... 05A 250KΩ x 1  
 Pickup Switch ..... 3P Toggle Switch

### ● PICKUPS

Front ..... Split Single Coil  
 Rear ..... Single Coil  
 Magnet  
 Front/Rear ..... Alnico V